

EN TLR332056 – 3-GEAR TRANSMISSION CONVERSION KIT 22/T/SCT 2.0

DE TLR332056 – UMBBAUKIT 3-STUFEN GETRIEBE 22/TSCT 2.0

FR TLR332056 – 22/T/SCT 2.0 - KIT DE CONVERSION POUR TRANSMISSION 3 ÉTAGES

IT TLR332056 – KIT CONVERSIONE TRASMISSIONE A 3 INGRANAGGI 22/T/SCT 2.0

ES TLR332056 – KIT DE CONVERSIÓN PARA TRANSMISIÓN DE 3 ENGRANAJES - 22/T/SCT 2.0

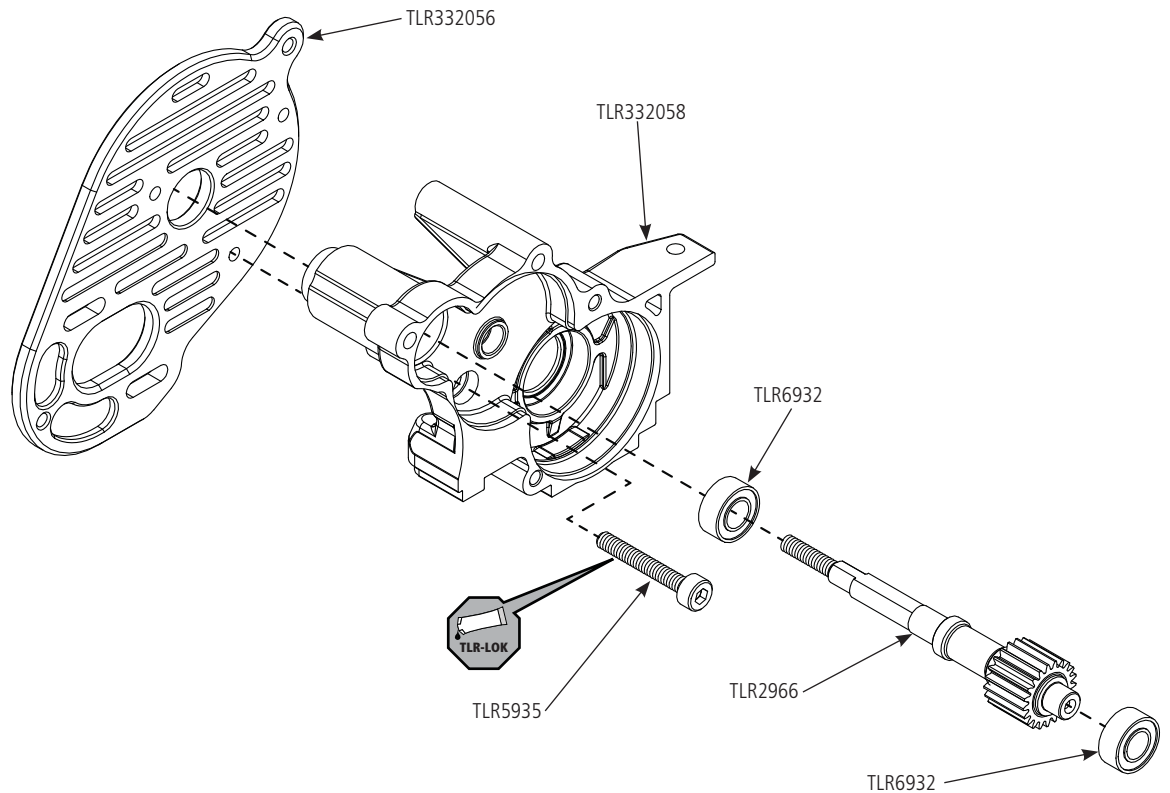
1



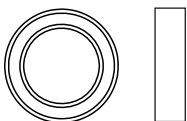
TLR6932 x 2
5 x 10 x 4mm



TLR5935 x 1
M3 x 20mm



2



LOSA6943 x 2
10 x 15 x 4mm



TLR6932 x 2
5 x 10 x 4mm



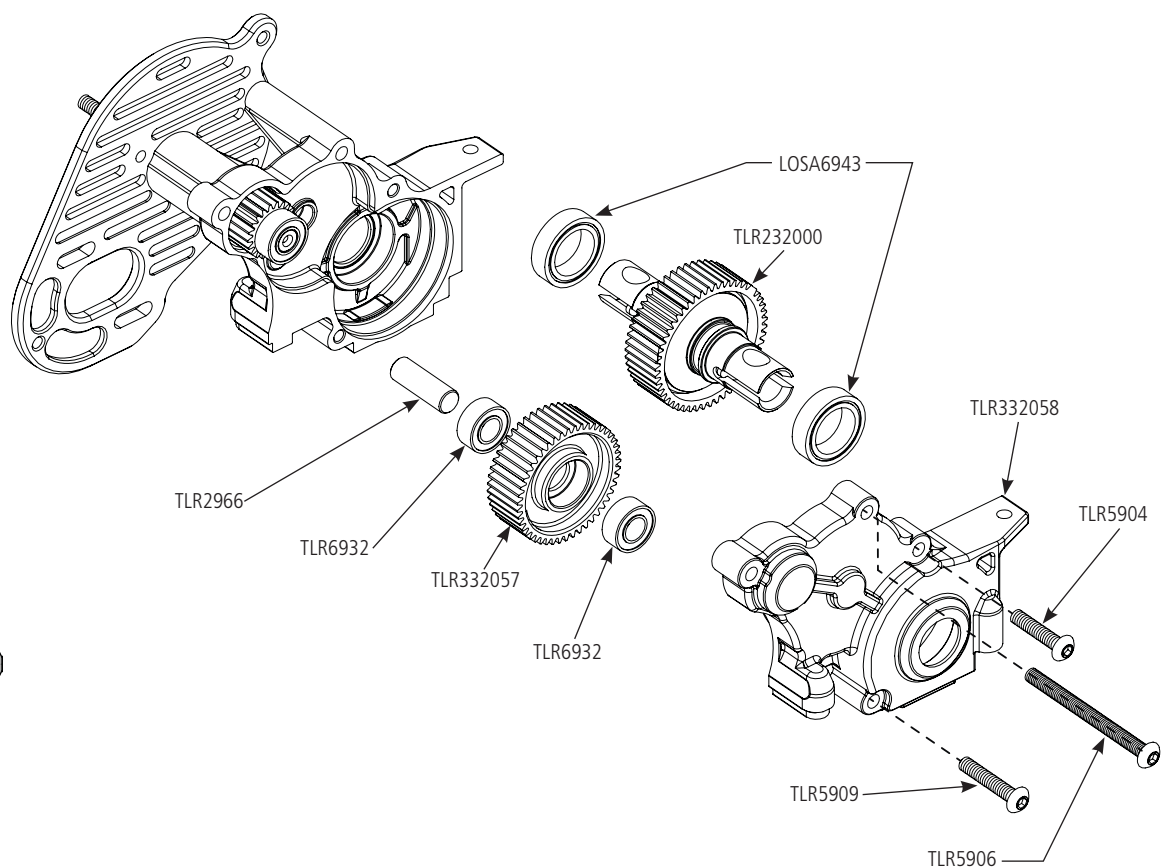
TLR5904 x 1
M3 x 12mm



TLR5909 x 1
M3 x 16mm



TLR5906 x 1
M3 x 35mm

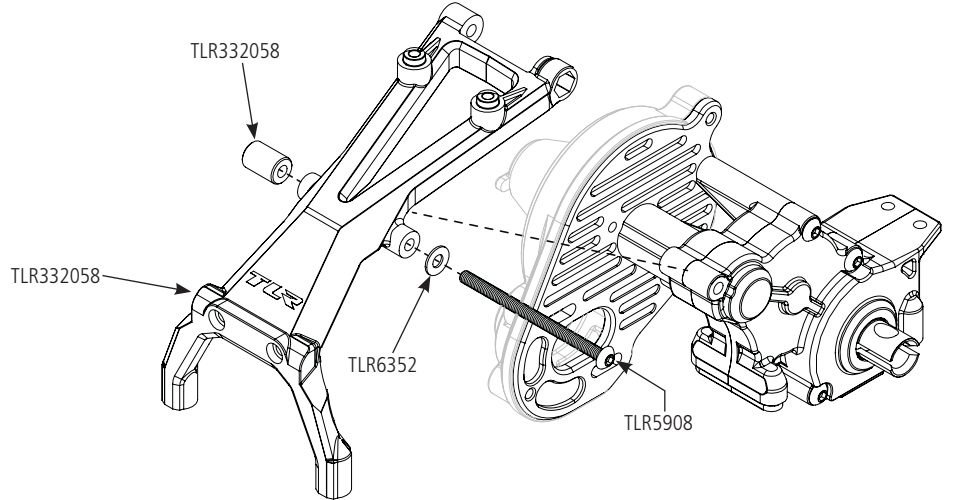
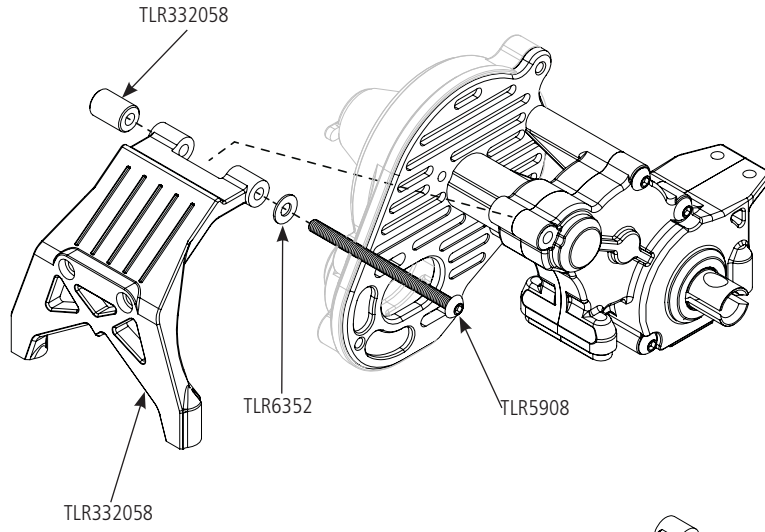
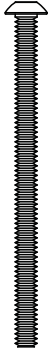


3



TLR6352 x 1
3.2 x 0.7 x 0.5mm

TLR5908 x 1
M3 x 44mm



4



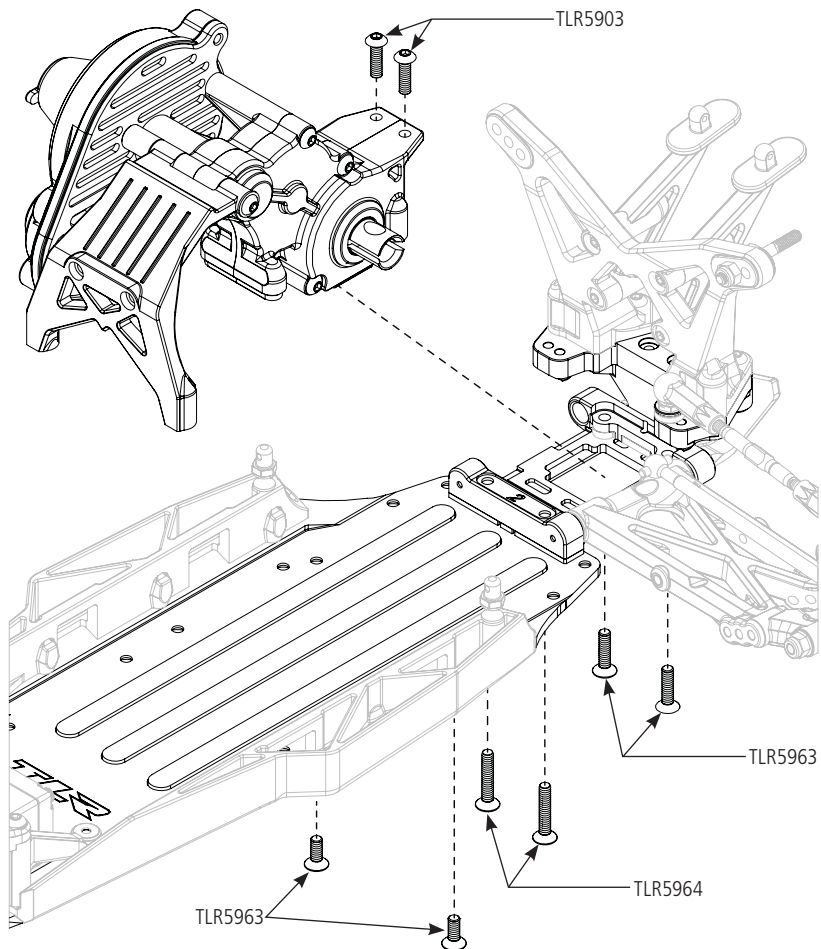
TLR5903 x 2
M3 x 10mm



TLR5963 x 4
M3 x 12mm



TLR5964 x 2
M3 x 16mm



Created 03/16 52001

©2016 Horizon Hobby, LLC. Team Losi Racing, TLR, 22, TLR-Lok and the Horizon Hobby logo are trademarks or registered trademarks of Horizon Hobby, LLC.