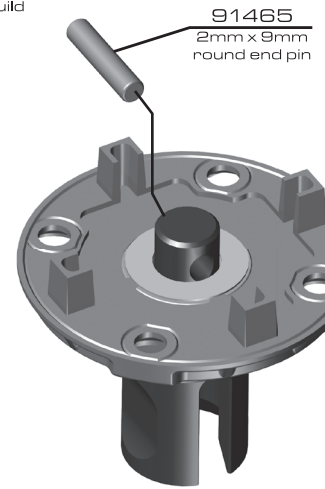
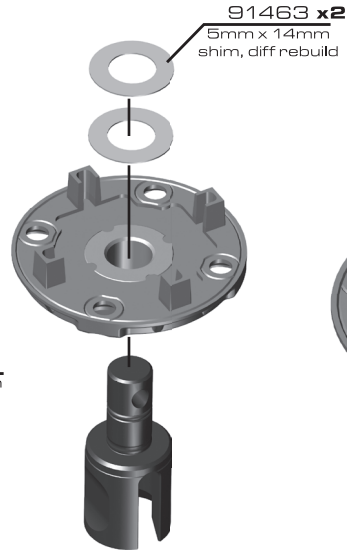
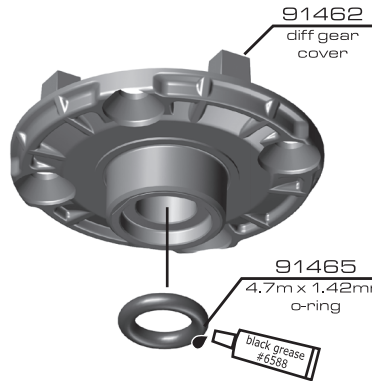
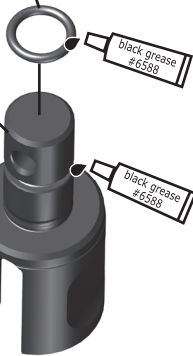


#91461 Gear Diff Build Supplement

:: Gear Differential

91465
3.6mm x 0.7mm
o-ring

91465
outdrive cup



:: Gear Differential (cont.)

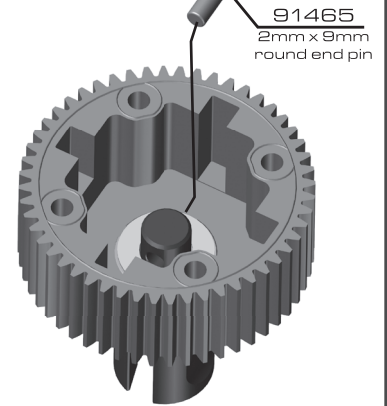
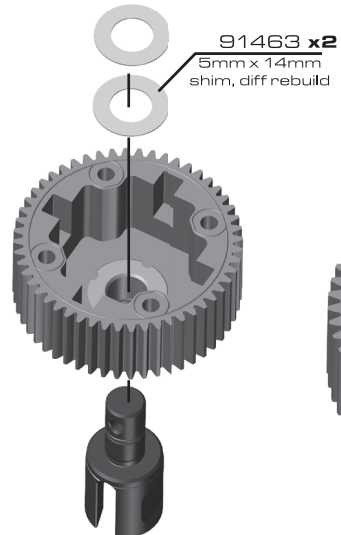
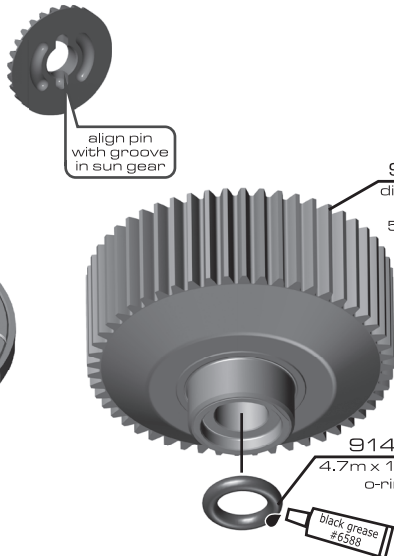
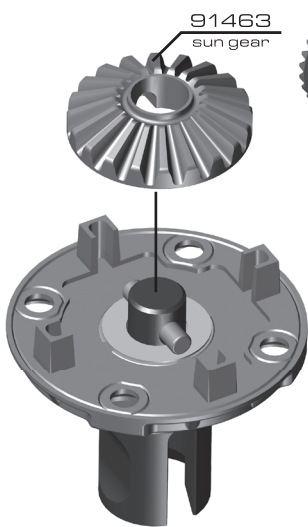
91463
sun gear

align pin
with groove
in sun gear

91462
differential
gear
52T, 48P

91465
4.7m x 1.42mm
o-ring

black grease
#6588



:: Gear Differential (cont.)

91463
sun gear

align pin
with groove
in sun gear

91463 x4
planet gear
shims

91463 x4
planet gear

91463 x2
cross pin

* Use the 1.5mm allen
wrench to tighten the
2.5x6mm fncs on the
diff gear cover

4675 x4
2.5 x 6mm
fncs

91462
diff gear
seal

#5452
300cc of
diff fluid

* Fill diff to top
of cross pins!

* Ensure free outdrive
rotation before
installation!

